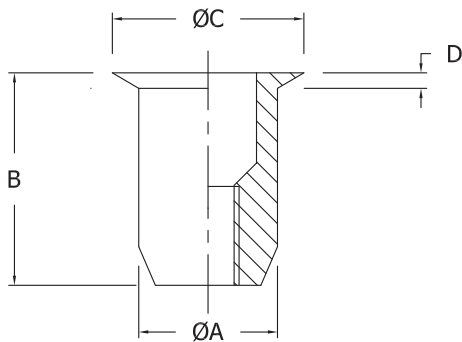


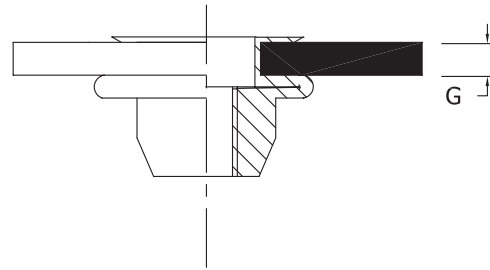
MATERIAL :Low Carbon Steel

FINISH : Zinc Yellow / Clear ZnC

BEFORE INSTALLATION



AFTER INSTALLATION



## UNIFIED THREAD

Thread Size	Part #	A Max.	B ±0.015	C ±0.025	D±0.010	GRIP RANGE G	HOLE ±0.006
6-32	RR0S-632-80	0.249	0.385	0.295	0.180	0.020-0.080	0.250
8-32	RR0S-832-80	0.249	0.385	0.295	0.180	0.020-0.080	0.250
10-24	RR0S-1024-130	0.280	0.440	0.320	0.200	0.020-0.130	0.282
10-32	RR0S-1032-130	0.280	0.440	0.320	0.200	0.020-0.130	0.282
1/4-20	RR0S-420-165	0.374	0.580	0.425	0.220	0.030-0.165	0.375
5/16-18	RR0S-518-200	0.499	0.690	0.560	0.220	0.040-0.200	0.500
3/8-16	RR0S-616-200	0.499	0.690	0.560	0.220	0.040-0.200	0.500

## METRIC THREAD

Thread Size	Part #	A Max.	B ±0.38	C ±0.25	D±0.08	GRIP RANGE G	HOLE ±0.015
M4x0.7	RR0S-470-2.0	6.320	10.400	7.000	0.460	0.500-2.000	6.400
M5x0.8	RR0S-580-3.3	7.110	12.000	8.100	0.510	0.500-3.300	7.200
M6x1.0	RR0S-610-4.2	9.500	15.000	10.200	0.560	0.760-4.200	9.600
M8x1.25	RR0S-8125-5.1	12.700	18.000	13.900	0.560	1.000-5.100	12.700
M10x1.5	RR0S-1015-5.1	12.700	18.000	13.900	0.600	1.000-5.000	12.700

Product specification are in effect at the time of publishing