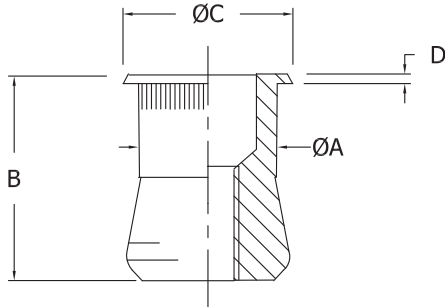


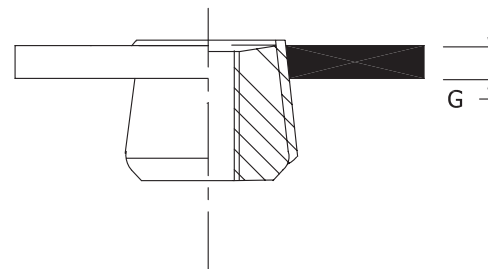
MATERIAL: Stainless Steel
Steel
Aluminum
Brass

FINISH : Cadmium (for Steel)

BEFORE INSTALLATION



AFTER INSTALLATION



UNIFIED THREAD

Thread Size	Part #	A Max.	B ± 0.015	C ± 0.025	Recommended Hole Size			
					G 0.030-0.090	G 0.091-0.124	G 0.125-0.186	G 0.187-Over
4-40	RRTS-440	0.187	0.370	0.211	0.188	0.194	0.193	0.196
6-32	RRTS-632	0.218	0.370	0.240	0.219	0.221	0.228	0.228
8-32	RRTS-832	0.249	0.370	0.269	0.250	0.257	0.266	0.266
10-24	RRTS-1024	0.280	0.370	0.306	0.281	0.290	0.290	0.297
10-32	RRTS-1032	0.280	0.370	0.306	0.281	0.290	0.290	0.297
1/4-20	RRTS-420	0.374	0.515	0.400	0.375	0.375	0.386	0.391
5/16-18	RRTS-518	0.499	0.615	0.528	0.500	0.500	0.516	0.516
3/8-16	RRTS-616	0.562	0.745	0.588	0.563	0.563	0.578	0.578

METRIC THREAD

Thread Size	Part #	A Max.	B ± 0.38	C ± 0.13	Recommended Hole Size			
					G 0.76-2.29	G 2.31-3.15	G 3.17-4.72	G 4.72-Over
M3x0.5	RRTS-M3	4.76	9.40	5.36	4.75	4.90	4.90	4.97
M4x0.7	RRTS-M4	6.34	9.40	6.83	6.35	6.52	6.74	6.74
M5x0.8	RRTS-M5	7.12	9.40	7.77	7.14	7.36	7.36	7.54
M6x1.0	RRTS-M6	9.51	13.08	10.16	9.52	9.52	9.80	9.92
M8x1.25	RRTS-M8	12.69	15.62	13.41	12.70	12.70	13.09	13.09

Product specification are in effect at the time of publishing