

THIN SHEET NUT-INSERT HEX SERIES

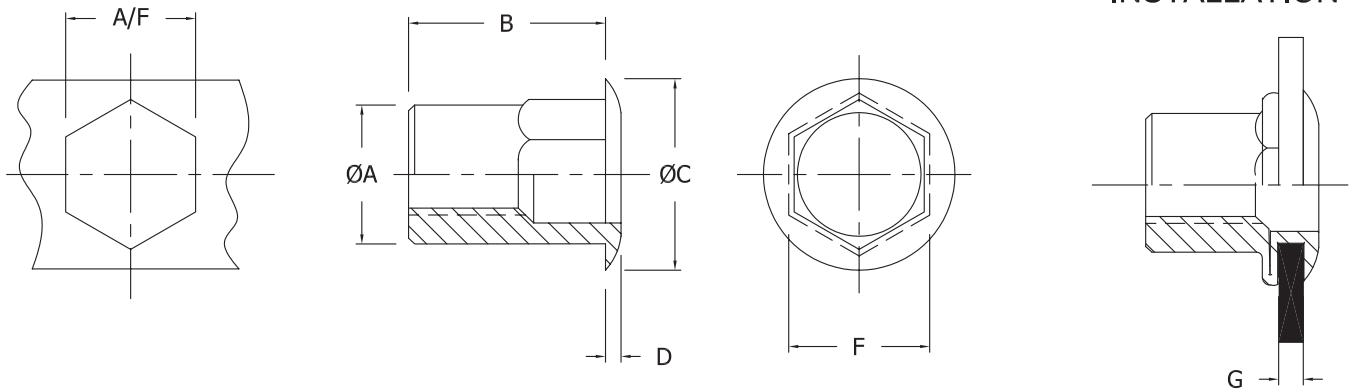
UNIFIED THREAD

MATERIAL :Low Carbon Steel

FINISH : Zinc Yellow/ Clear Zinc

BEFORE INSTALLATION

AFTER INSTALLATION



LARGE FLANGE

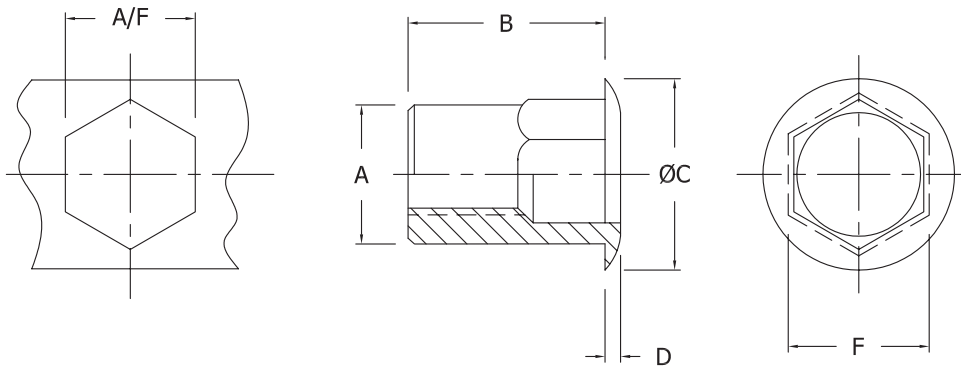
Thread Size	Part #	A Max.	B ±0.015	C ±0.025	D ±0.010	GRIP RANGE G	HEX HOLE A/F +0.004
6-32	RRHS-632-80	0.249	0.385	0.375	0.027	0.020-0.080	0.250
6-32	RRHS-632-130	0.249	0.435	0.375	0.027	0.080-0.130	0.250
8-32	RRHS-832-80	0.249	0.385	0.375	0.027	0.020-0.080	0.250
8-32	RRHS-832-130	0.249	0.435	0.375	0.027	0.080-0.130	0.250
10-24	RRHS-1024-130	0.280	0.435	0.390	0.027	0.020-0.130	0.281
10-24	RRHS-1024-225	0.280	0.535	0.390	0.027	0.130-0.225	0.281
10-32	RRHS-1032-130	0.280	0.435	0.390	0.027	0.020-0.130	0.281
10-32	RRHS-1032-225	0.280	0.535	0.390	0.027	0.130-0.225	0.281
1/4-20	RRHS-420-165	0.374	0.585	0.510	0.030	0.027-0.165	0.375
1/4-20	RRHS-420-260	0.374	0.685	0.510	0.030	0.165-0.260	0.375
5/16-18	RRHS-518-150	0.499	0.685	0.655	0.035	0.027-0.150	0.500
5/16-18	RRHS-518-312	0.499	0.845	0.655	0.035	0.150-0.312	0.500
3/8-16	RRHS-616-150	0.499	0.685	0.655	0.035	0.027-0.150	0.500
3/8-16	RRHS-616-312	0.499	0.845	0.655	0.035	0.150-0.312	0.500

Product specification are in effect at the time of publishing

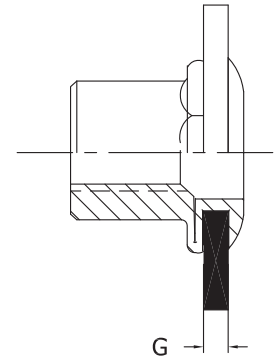
METRIC THREAD

MATERIAL :Low Carbon Steel
FINISH : Zinc Yellow/ Clear Zinc

BEFORE INSTALLATION



AFTER INSTALLATION



LARGE FLANGE

Thread Size	Part #	A Max.	B ±0.038	C ±0.50	D±0.20	GRIP RANGE G	HEX HOLE A/F +0.2
M4x0.7	RRHS-470-2.0	6.350	9.780	9.300	0.680	0.500-2.000	6.350
M4x0.7	RRHS-470-3.3	6.350	11.050	9.300	0.680	2.000-3.300	6.350
M5x0.8	RRHS-580-3.3	7.100	11.050	9.900	0.680	0.500-3.300	7.150
M5x0.8	RRHS-580-5.7	7.100	13.590	9.900	0.680	3.300-5.700	7.150
M6x1.0	RRHS-610-4.2	9.500	14.860	13.000	0.900	0.700-4.200	9.550
M6x1.0	RRHS-610-6.6	9.500	17.400	13.000	0.900	4.200-6.600	9.550
M8x1.25	RRHS-8125-3.8	12.700	17.400	17.000	1.000	0.700-3.800	12.700
M8x1.25	RRHS-8125-7.9	12.700	21.460	17.000	1.000	3.800-7.900	12.700
M10x1.5	RRHS-1015-3.8	12.700	17.400	17.000	1.000	0.700-3.800	12.700
M10x1.5	RRHS-1015-7.9	12.700	21.460	17.000	1.000	3.800-7.900	12.700

Product specification are in effect at the time of publishing