

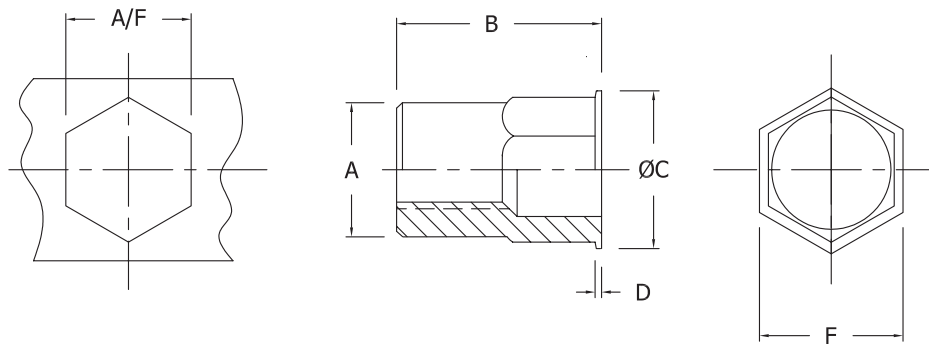
THIN SHEET NUT-INSERT HALF-HEX SERIES

SMALL FLANGE

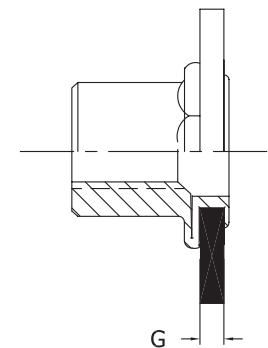
MATERIAL : Low Carbon Steel

FINISH : Zinc Yellow/ Clear Zinc

BEFORE INSTALLATION



AFTER INSTALLATION



UNIFIED THREAD

| Thread Size | Part # | A Max. | B ± 0.010 | C ± 0.015 | D ± 0.010 | GRIP RANGE G | HEX HOLE A/F +0.004 |
|-------------|------------|--------|---------------|---------------|---------------|--------------|---------------------|
| 8-32 | RRHAS-832 | 0.250 | 0.409 | 0.275 | 0.016 | 0.020-0.065 | 0.251 |
| 10-32 | RRHAS-1032 | 0.280 | 0.472 | 0.319 | 0.020 | 0.020-0.083 | 0.281 |
| 1/4-20 | RRHAS-420 | 0.374 | 0.570 | 0.413 | 0.020 | 0.030-0.116 | 0.375 |
| 5/16-18 | RRHAS-518 | 0.413 | 0.630 | 0.453 | 0.020 | 0.035-0.130 | 0.414 |
| 3/8-16 | RRHAS-616 | 0.500 | 0.740 | 0.551 | 0.020 | 0.039-0.138 | 0.501 |

METRIC THREAD

| Thread Size | Part # | A Max. | B ± 0.25 | C ± 0.3 | D ± 0.1 | GRIP RANGE G | HEX HOLE A/F +0.1 |
|-------------|------------|--------|--------------|-------------|-------------|--------------|-------------------|
| M4X0.7 | RRHAS-470 | 6.35 | 10.40 | 7.00 | 0.40 | 0.50-1.65 | 6.40 |
| M5X0.8 | RRHAS-580 | 7.10 | 12.00 | 8.10 | 0.50 | 0.50-2.10 | 7.15 |
| M6X1.0 | RRHAS-610 | 9.50 | 14.50 | 10.50 | 0.50 | 0.75-2.95 | 9.55 |
| M8X1.25 | RRHAS-8125 | 10.50 | 16.00 | 11.50 | 0.50 | 0.90-3.30 | 10.55 |

Product specification are in effect at the time of publishing