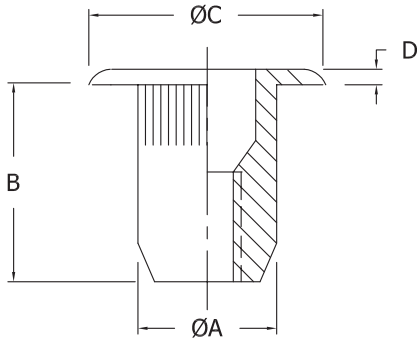


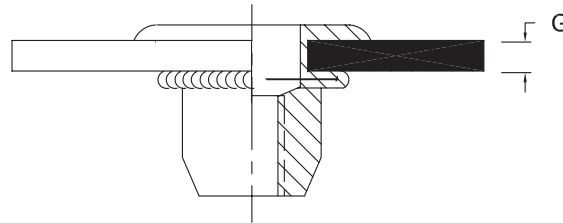
THIN SHEET NUT-INSERT KNURLED SERIES

MATERIAL :Low Carbon Steel
FINISH : Zinc Yellow / Clear Zinc

BEFORE INSTALLATION



AFTER INSTALLATION



LARGE FLANGE

Thread Size	Part #	A Max.	B ±0.015	C ±0.010	D±0.010	GRIP RANGE G	HOLE ±0.006
6-32	RRLS-632-80	0.265	0.420	0.390	0.030	0.020-0.080	17/64
6-32	RRLS-632-130	0.265	0.470	0.390	0.030	0.080-0.130	17/64
8-32	RRLS-832-80	0.265	0.420	0.390	0.030	0.020-0.080	17/64
8-32	RRLS-832-130	0.265	0.470	0.390	0.030	0.080-0.130	17/64
10-24	RRLS-1024-130	0.296	0.475	0.415	0.030	0.020-0.080	19/64
10-24	RRLS-1024-225	0.296	0.585	0.415	0.030	0.130-0.225	19/64
10-32	RRLS-1032-130	0.296	0.475	0.415	0.030	0.020-0.080	19/64
10-32	RRLS-1032-225	0.296	0.585	0.415	0.030	0.130-0.225	19/64
1/4-20	RRLS-420-165	0.390	0.580	0.500	0.030	0.027-0.165	25/64
1/4-20	RRLS-420-260	0.390	0.680	0.500	0.030	0.165-0.260	25/64
5/16-18	RRLS-518-150	0.530	0.690	0.685	0.035	0.027-0.150	17/32
5/16-18	RRLS-518-312	0.530	0.805	0.685	0.035	0.150-0.312	17/32
3/8-16	RRLS-616-150	0.530	0.690	0.685	0.035	0.027-0.150	17/32
3/8-16	RRLS-616-312	0.530	0.805	0.685	0.035	0.150-0.312	17/32

AVAILABLE IN ALL METRIC SIZES

Product specification are in effect at the time of publishing