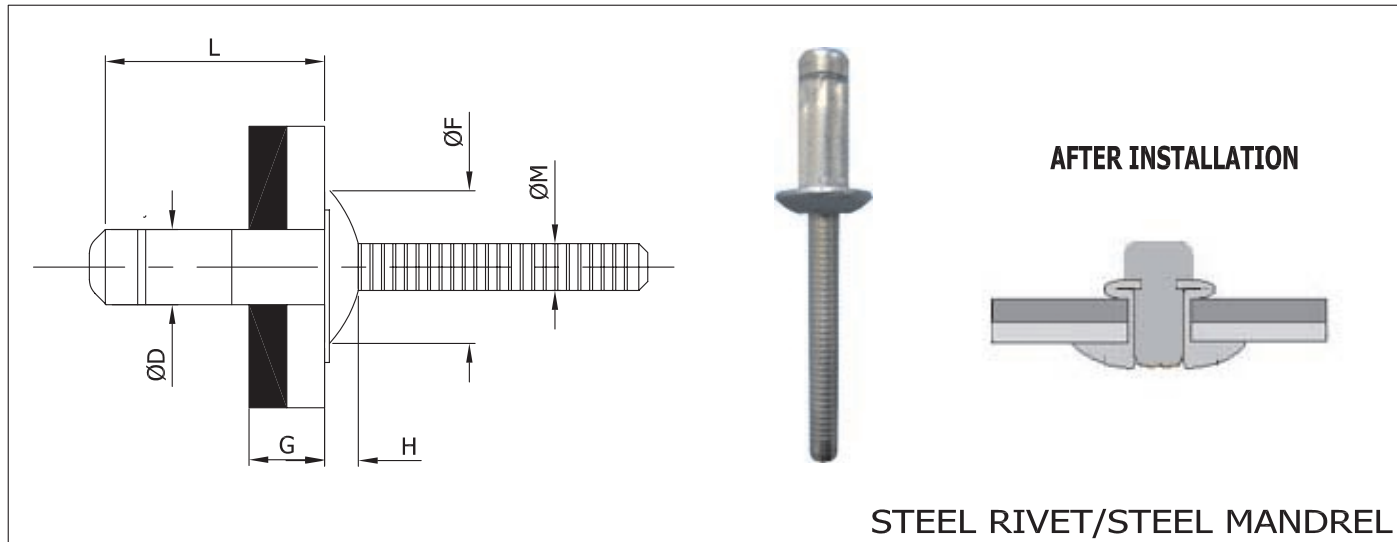


DOME FLANGE

R-LOCK STEEL



STEEL RIVET/STEEL MANDREL

TYPE	Part Number	L mm	G mm	D mm	H mm	F mm	M mm	STRENGTH (Kgf)		Hole Size mm
								Shear	Tensile	
4.8 mm	SSA62RL	9.0	1.5-3.5	4.8	2.2	9.8	3.02	460	360	5.0
	SSA64RL	11.5	3.5-6.0					610		
	SSA65RL	14.0	6.0-8.5					640		
	SSA67RL	16.5	8.5-11.0							
	SSA68RL	19.0	11.0-13.5							
6.4 mm	SSA82RL	9.0	1.5-3.5	6.4	3.0	13.0	4.17	700	660	6.6-6.8
	SSA83RL	10.5	2.8-4.8					940		
	SSA84RL	12.5	4.8-6.8					1040		
	SSA86RL	14.5	6.8-8.8							
	SSA87RL	16.5	8.8-10.8							
	SSA88RL	18.5	10.8-12.8							
	SSA810RL	20.5	12.8-14.8							
	SSA811RL	22.5	14.8-16.8					1140		
	SSA812RL	24.5	16.8-18.8							
	SSA813RL	26.5	18.8-20.8							
	SSA814RL	28.5	20.8-22.8							
7.8 mm	SSA94RL	13.5	4.0-7.0	7.8	3.70	16.0	5.12	1410	930	8.0-8.3
	SSA97RL	16.5	7.0-10.0					1600		
	SSA98RL	19.5	10.0-13.0							
	SSA910RL	22.5	13.0-16.0							
	SSA912RL	25.2	16.0-19.0							
	SSA914RL	28.5	19.0-22.0							
	SSA916RL	31.5	22.0-25.0							

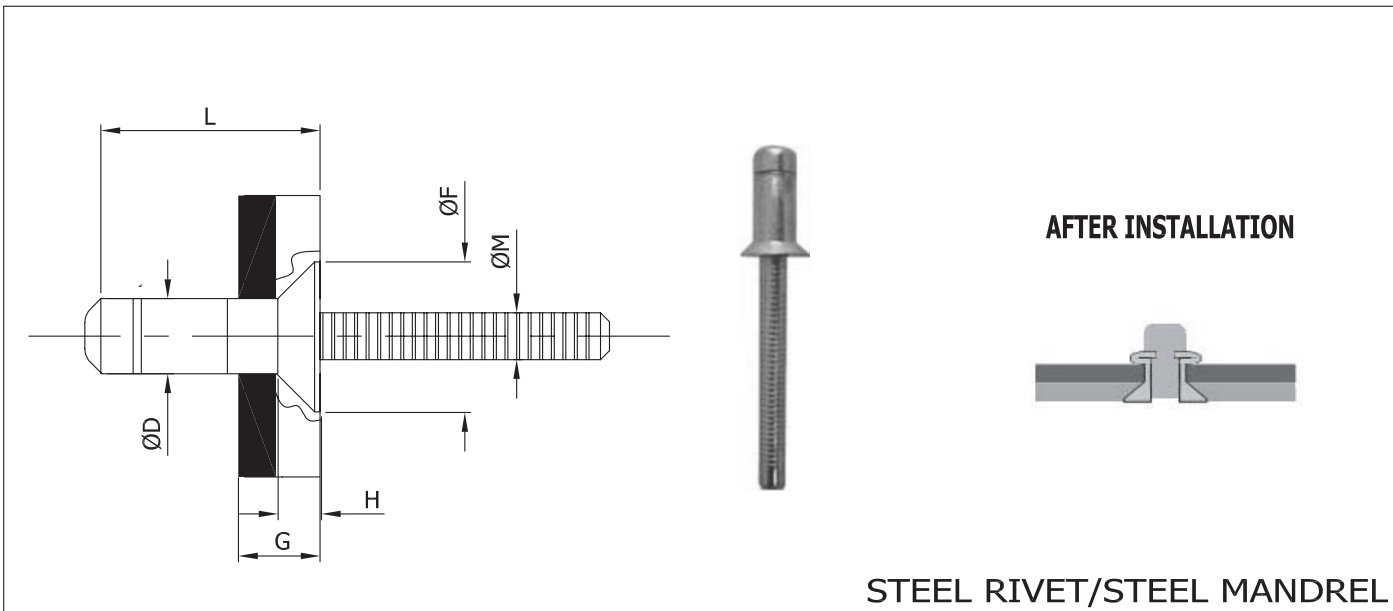
Product specification are in effect at the time of publishing

CBRC 1.800.258.2579

COUNTERSUNK FLANGE

R-LOCK STEEL

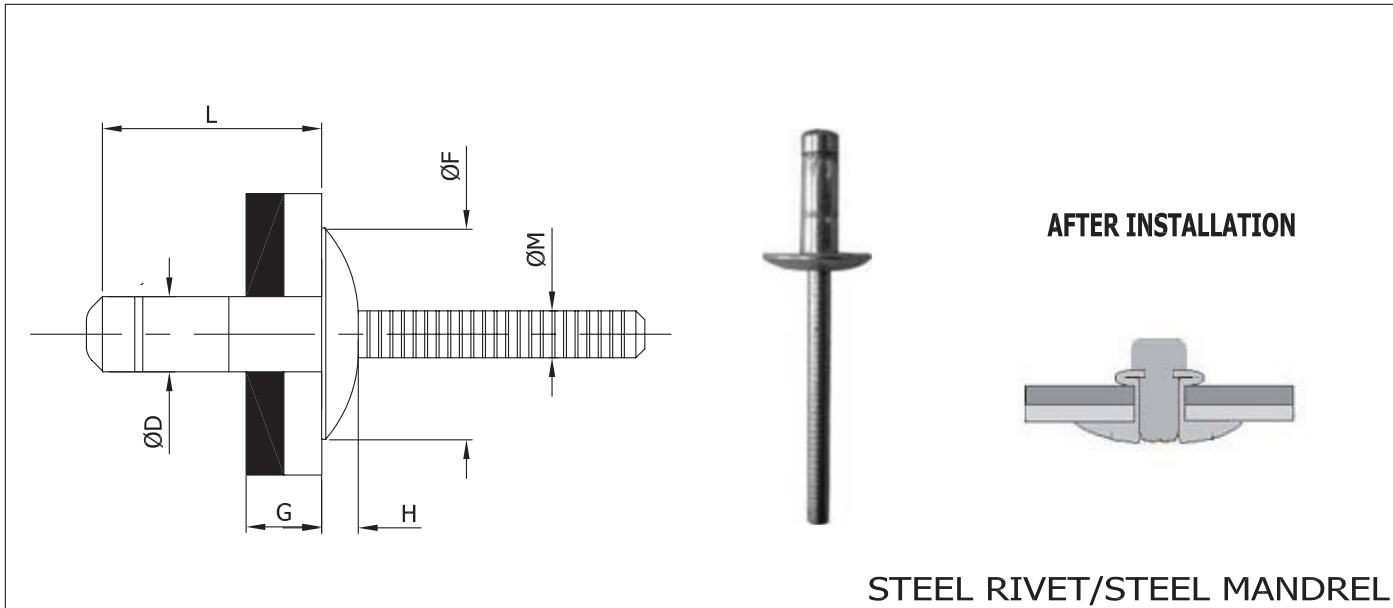
SECTION 2



STEEL RIVET/STEEL MANDREL

TYPE	Part Number	L mm	G mm	D mm	H mm	F mm	M mm	STRENGTH (Kgf)		Hole Size mm
								Shear	Tensile	
4.8 mm	SSC64RL	11.5	3.5-6.0	4.8	1.8	8.5	3.02	310		4.9-5.1
	SSC65RL	14.0	6.0-8.5							
	SSC67RL	16.5	8.5-11.0					400	300	
	SSC68RL	19.0	11.0-13.5							
6.4 mm	SSC83RL	11.5	3.8-5.8	6.4	2.0	10.0	4.17	550	580	6.6-6.8
	SSC84RL	12.5	4.8-6.8					650		
	SSC85RL	13.5	5.8-7.8					750		
	SSC86RL	15.5	7.8-9.8					950		
	SSC87RL	17.5	9.8-11.8							
	SSC89RL	19.5	11.8-13.8							
	SSC810RL	21.5	13.8-15.8					1050		
	SSC811RL	23.5	15.8-17.8							

Product specification are in effect at the time of publishing



STEEL RIVET/STEEL MANDREL

TYPE	Part Number	L mm	G mm	D mm	H mm	F mm	M mm	STRENGTH (Kgf)		Hole Size mm
								Shear	Tensile	
4.8 mm	SSB62RL	9.0	1.5-3.5	4.8	2.0	14.0	3.02	460	360	4.9-5.1
	SSB64RL	11.5	3.5-6.0					610		
	SSB65RL	14.0	6.0-8.5					640		
	SSB67RL	16.5	8.5-11.0							
	SSB68RL	19.0	11.0-13.5							
6.4 mm	SSB84RL	12.5	4.8-6.8	6.4	3.0	19.0	4.27	1040	660	6.6-6.8
	SSB86RL	14.5	6.8-8.8							
	SSB87RL	16.5	8.8-10.8							
	SSB88RL	18.5	10.8-12.8							
	SSB810RL	20.5	12.8-14.8							
	SSB811RL	22.5	14.8-18.8							
	SSB812RL	24.5	16.8-18.8							
	SSB813RL	26.5	18.8-20.8					1140		
	SSB814RL	28.5	20.8-22.8							
	SSB816RL	30.5	22.8-24.8							

Product specification are in effect at the time of publishing